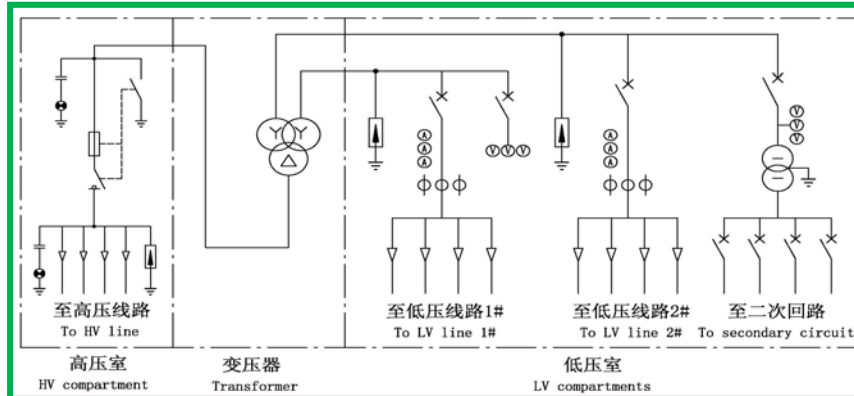


## JSHP Solar & Wind Solution

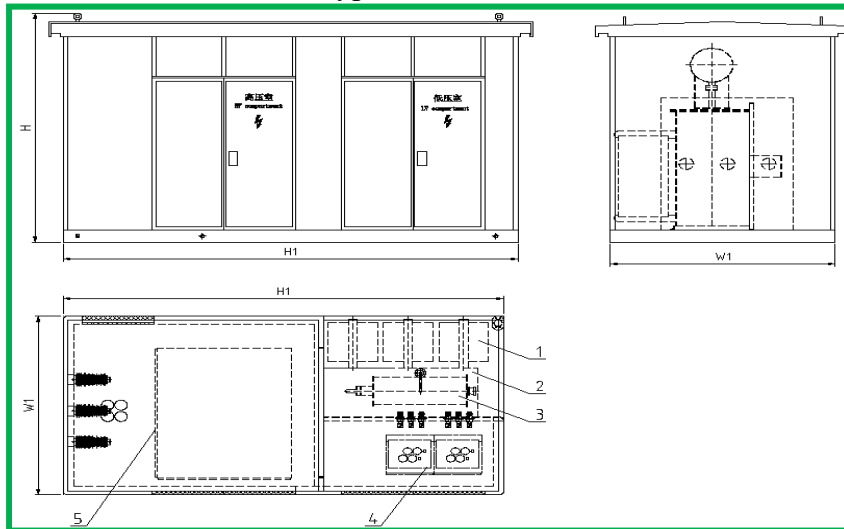
20,000+ units delivered

25+% of the whole China Solar & Wind Market

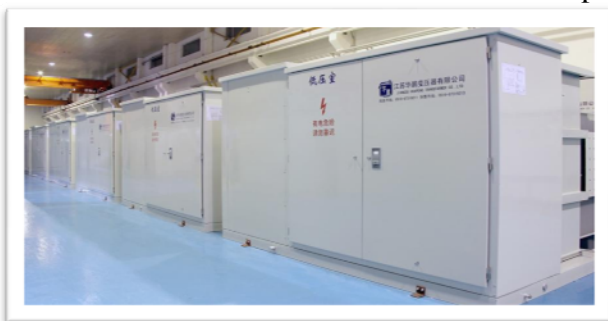
34.5KV, 500KVA to 3 MVA



Typical One Line



Compact Substation Layout



Pad-mounted Design



Compact Substation Design